



Flachsauger aus Thermalon® ø 5 - 60 mm
Flat vacuum cups made of Thermalon® ø 5 - 60 mm

Technische Daten / Technical Specifications

Härte: 60° Shore A | Hardness: 60° Shore A

Einsatztemperatur: 0 - 160°C | Usage temperature: 32 - 320°F

Farbe: blau | Colour: blue

Artikel-Nummer Item number	Ø [mm]	Gewicht [g] Weight [g]	Hub [mm] Stroke [mm]	Halter Holder M5-AG	Halter Holder M5-IG	Halter Holder M6-AG	Halter Holder G1/8-AG	Halter Holder G1/8-IG	Halter Holder G1/4-AG	Halter Holder G1/4-IG	Federstößel direkt einsteckbar Spring leveler directly insertable
102.005.496.19	5	0,2	0,9	270.010	270.005	-	270.009	270.007	-	-	50.330
102.008.497.19	8	0,3	1,3	270.010	270.005	-	270.009	270.007	-	-	50.330
102.010.498.19	10	0,4	1,5	270.010	270.005	-	270.009	270.007	-	-	50.330
102.015.499.19	15	0,9	1,9	270.200	-	-	270.064	270.065	-	-	50.330
102.020.500.19	20	1,9	2,3	270.311	-	-	270.063	270.061	-	-	-
102.025.501.19	25	3	3	-	-	-	270.030	270.019	270.274	270.275	-
102.030.502.19	30	4	2	-	-	-	270.030	270.019	270.274	270.275	-
102.040.503.19	40	8,4	3,9	-	-	-	270.030	270.019	270.274	270.275	-
102.050.504.19	50	13	4	-	-	-	270.012	270.020	270.491	270.492	-
102.060.505.19	60	25	4,9	-	-	-	-	-	-	-	-

- > Besondere Eignung zur Entnahme heißer, zu lackierender, Kunststoffteile aus der Spritzgießmaschine
- > LABS- und silikonfrei
- > Extrem abdruckarm
- > Gute Hitze-, Öl- und Chemikalienbeständigkeit
- > Hohe Abriebfestigkeit

- > Ideally suited for extraction of hot plastic parts that are to be painted from the injection moulding machine
- > Free of silicone and other paint wetting impairment substances (PWIS)
- > Extremely low-marking
- > Good heat, oil and chemical resistance
- > High abrasion resistance

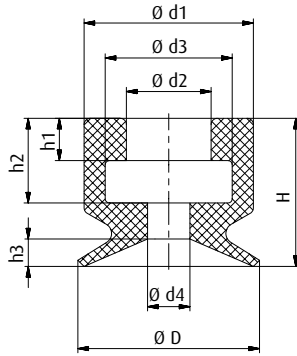
Anwendungsbeispiel / Example of application



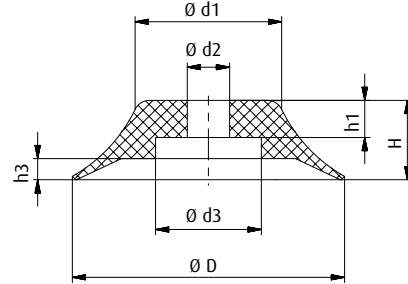


Flachsauger aus Thermalon® ø 5 - 60 mm
Flat vacuum cups made of Thermalon® ø 5 - 60 mm

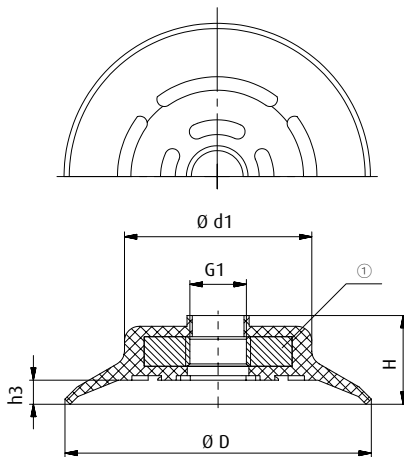
Abmessungen / Dimensions



ø 5 - 10 mm



ø 15 - 50 mm



ø 60 mm

① = Aluminium

Artikel-Nummer Item number	Ø D [mm]	Ø d1 [mm]	Ø d2 [mm]	Ø d3 [mm]	Ø d4 [mm]	G1	H [mm]	h1 [mm]	h2 [mm]	h3 [mm]
102.005.496.19	5,5	7,5	4	6	1,5	-	6,5	2	4	0,9
102.008.497.19	8,5	8	4	6	2	-	7	2	4	1,3
102.010.498.19	11	8,5	4	6	2	-	7,5	2	4	1,4
102.015.499.19	15,5	12	4,5	8	-	-	8	2,7	-	1,8
102.020.500.19	21	15	4,5	11	-	-	10	4,5	-	2,2
102.025.501.19	26	16	6	11	-	-	14	7	-	2,8
102.030.502.19	31	14,5	6	11	-	-	12	7	-	2
102.040.503.19	41	24	6	11	-	-	14	7	-	3,9
102.050.504.19	51	27,5	8	20	-	-	15	7	-	4
102.060.505.19	62	38	-	-	-	G 1/4	18	-	-	4,9



Balgensauger 1,5 Falten aus Thermalon® ø 11 - 63 mm
Bellows vacuum cups 1.5 folds made of Thermalon® ø 11 - 63 mm

Technische Daten / Technical Specifications

Härte: 60° Shore A | Hardness: 60° Shore A

Einsatztemperatur: 0 - 160°C | Usage temperature: 32 - 320°F

Farbe: blau | Colour: blue

Artikel-Nummer Item number	Ø [mm]	Gewicht [g] Weight [g]	Hub [mm] Stroke [mm]	Halter	Halter	Halter	Halter	Halter	Halter	Halter
				Holder	Holder	Holder	Holder	Holder	Holder	Holder
				M5-AG	M5-IG	M6-AG	G1/8-AG	G1/8-IG	G1/4-AG	G1/4-IG
23.011.234.19	11	0,7	5,5	270.134	270.347	270.104	270.033	270.478	-	-
23.014.235.19	14	1	5	270.134	270.347	270.104	270.033	270.478	-	-
23.016.236.19	16	1,2	8,5	270.134	270.347	270.104	270.033	270.478	-	-
23.018.237.19	18	1,5	5	270.134	270.347	270.104	270.033	270.478	-	-
23.020.238.19	20	1,6	5	270.134	270.347	270.104	270.033	270.478	-	-
23.022.239.19	22	1,8	8	270.134	270.347	270.104	270.033	270.478	-	-
23.025.240.19	25	2,8	12	270.134	270.347	270.104	270.033	270.478	-	-
23.033.241.19	33	6,4	11	-	-	-	270.132	270.114	270.190	270.192
23.043.242.19	43	10	12,5	-	-	-	270.132	270.114	270.190	270.192
23.053.243.19	53	15	15	-	-	-	270.132	270.114	270.190	270.192
23.063.244.19	63	28	15	-	-	-	270.132	270.114	270.190	270.192

- > Besondere Eignung zur Entnahme heißer, zu lackierender, Kunststoffteile aus der Spritzgießmaschine
- > LABS- und silikonfrei
- > Extrem abdruckarm
- > Gute Hitze-, Öl- und Chemikalienbeständigkeit
- > Hohe Abriebfestigkeit

- > *Ideally suited for extraction of hot plastic parts that are to be painted from the injection moulding machine*
- > *Free of silicone and other paint wetting impairment substances (PWIS)*
- > *Extremely low-marking*
- > *Good heat, oil and chemical resistance*
- > *High abrasion resistance*

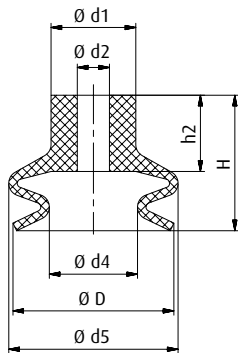
Anwendungsbeispiel / Example of application



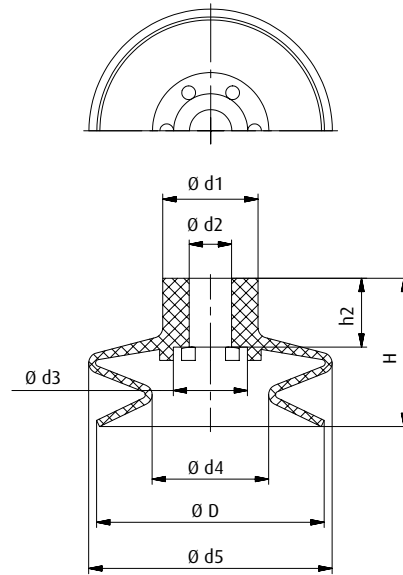


Balgensauger 1,5 Falten aus Thermalon® ø 11 - 63 mm
 Bellows vacuum cups 1.5 folds made of Thermalon® ø 11 - 63 mm

Abmessungen / Dimensions



ø 11 - 25 mm



ø 33 - 63 mm

Artikel-Nummer Item number	Ø D [mm]	Ø d1 [mm]	Ø d2 [mm]	Ø d3 [mm]	Ø d4 [mm]	Ø d5 [mm]	H [mm]	h2 [mm]
23.011.234.19	11	10	3,8	-	5	12	16	9
23.014.235.19	13	10	3,8	-	5	14	16	9
23.016.236.19	16	10	3,8	-	8	17,5	19	9
23.018.237.19	18	10	3,8	-	8	18	16,5	9
23.020.238.19	19	10	3,8	-	10,5	20	16	9
23.022.239.19	22	10	3,8	-	11	24	19	9
23.025.240.19	24	10	3,8	-	9,5	25	23	9
23.033.241.19	33	18	8	14	17	36	28	13
23.043.242.19	43	18	8	14	22	46	28	13
23.053.243.19	53	18	8	14	33	59	34	13
23.063.244.19	63	18	8	14	44	67	34	13



Balgensauger 2,5 Falten aus Thermalon® ø 5 - 62 mm
Bellows vacuum cups 2.5 folds made of Thermalon® ø 5 - 62 mm

Technische Daten / Technical Specifications

Härte: 60° Shore A | Hardness: 60° Shore A

Einsatztemperatur: 0 - 160°C | Usage temperature: 32 - 320°F

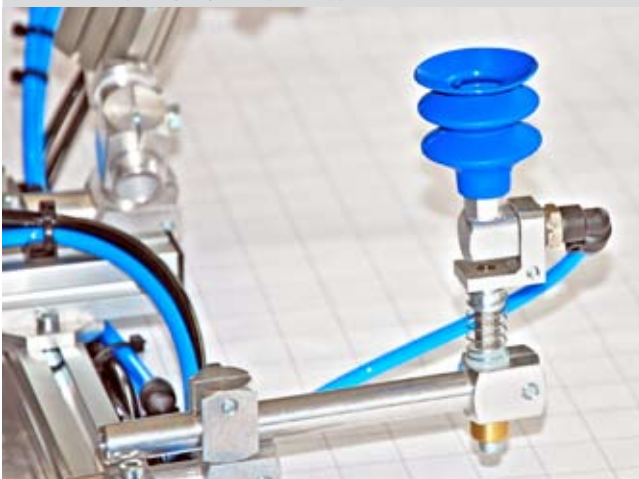
Farbe: blau | Colour: blue

Artikel-Nummer Item number	Ø [mm]	Gewicht [g] Weight [g]	Hub [mm] Stroke [mm]	Halter	Halter	Halter	Halter	Halter	Halter	Halter
				Holder	Holder	Holder	Holder	Holder	Holder	Holder
				M5-AG	M5-IG	M6-AG	G1/8-AG	G1/8-IG	G1/4-AG	G1/4-IG
21.005.146.19	5	0,5	3	270.134	270.347	270.104	270.033	270.478	-	-
21.007.147.19	7	0,5	3	270.134	270.347	270.104	270.033	270.478	-	-
21.009.148.19	9	0,9	3	270.134	270.347	270.104	270.033	270.478	-	-
21.012.149.19	12	1,1	7	270.134	270.347	270.104	270.033	270.478	-	-
21.014.150.19	14	1,4	10	270.134	270.347	270.104	270.033	270.478	-	-
21.018.151.19	18	1,8	10	270.134	270.347	270.104	270.033	270.478	-	-
21.020.152.19	20	2,2	10	270.134	270.347	270.104	270.033	270.478	-	-
21.025.153.19	25	3,8	20	270.134	270.347	270.104	270.033	270.478	-	-
21.032.154.19	32	9,4	14,5	-	-	-	270.132	270.114	270.190	270.192
21.042.155.19	42	19	22	-	-	-	270.132	270.114	270.190	270.192
21.052.156.19	52	25	27	-	-	-	270.132	270.114	270.190	270.192
21.062.157.19	62	50	31	-	-	-	270.132	270.114	270.190	270.192

- > Besondere Eignung zur Entnahme heißer, zu lackierender, Kunststoffteile aus der Spritzgießmaschine
- > LABS- und silikonfrei
- > Extrem abdruckarm
- > Gute Hitze-, Öl- und Chemikalienbeständigkeit
- > Hohe Abriebfestigkeit

- > *Ideally suited for extraction of hot plastic parts that are to be painted from the injection moulding machine*
- > *Free of silicone and other paint wetting impairment substances (PWIS)*
- > *Extremely low-marking*
- > *Good heat, oil and chemical resistance*
- > *High abrasion resistance*

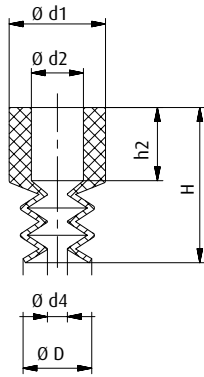
Anwendungsbeispiel / Example of application



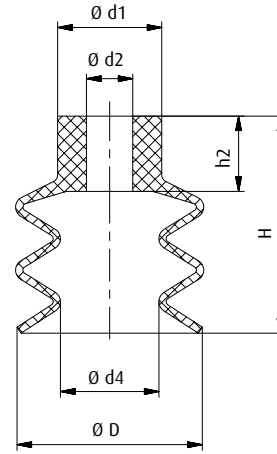


Balgensauger 2,5 Falten aus Thermalon® ø 5 - 62 mm
Bellows vacuum cups 2.5 folds made of Thermalon® ø 5 - 62 mm

Abmessungen / Dimensions



ø 5 - 9 mm



ø 12 - 62 mm

Artikel-Nummer Item number	ø D [mm]	ø d1 [mm]	ø d2 [mm]	ø d4 [mm]	H [mm]	h2 [mm]
21.005.146.19	5,5	7	4	2,2	13,5	8
21.007.147.19	6	8,5	4,5	1,8	14	6,5
21.009.148.19	9,5	9	4,4	4	15	7,5
21.012.149.19	12	10	3,8	5	21	9
21.014.150.19	14	10	3,8	5	23	9
21.018.151.19	17,5	10	3,8	7,5	23	9
21.020.152.19	20	10	3,8	10	23	9
21.025.153.19	25	10	3,8	10	34	9
21.032.154.19	32	18	8	17	38	13
21.042.155.19	42	18	8	18,5	46	13
21.052.156.19	52	18	8	25	49	13
21.062.157.19	62	21	8	30	55	13



Ovalsauger aus Thermalon® 4x2 - 75x25 mm
 Oval vacuum cups made of Thermalon® 4x2 - 75x25 mm

Technische Daten / Technical Specifications

Härte: 60° Shore A | Hardness: 60° Shore A

Einsatztemperatur: 0 - 160°C | Usage temperature: 32 - 320°F

Farbe: blau | Colour: blue

Artikel-Nummer Item number	Abmessungen [mm] Dimensions [mm]	Gewicht [g] Weight [g]	Hub [mm] Stroke [mm]	Halter Holder M3-AG	Halter Holder M4-AG	Halter Holder M5-AG	Halter Holder G1/8-AG	Halter Holder G1/8-IG	Halter Holder G1/4-AG	Halter Holder G1/4-IG	Klemmschelle Clamp
132.4x2.079.19	4x2	0,1	0,4	270.014	270.111	270.300	-	-	-	-	-
132.7x4.080.19	7x4	0,1	0,5	270.014	270.111	270.300	-	-	-	-	-
132.15x5.081.19	15x5	0,5	0,6	-	-	270.094	270.095	270.096	-	-	-
132.18x6.082.19	18x6	0,5	1	-	-	270.094	270.095	270.096	-	-	-
132.24x8.083.19	24x8	1	1	-	-	270.094	270.095	270.096	-	-	78.032
132.30x10.084.19	30x10	1,2	1	-	-	270.094	270.095	270.096	-	-	78.032
132.45x15.085.19	45x15	3,7	2	-	-	-	-	-	270.097	270.098	78.033
132.60x20.086.19	60x20	7	2,5	-	-	-	-	-	270.097	270.098	78.033
132.75x25.087.19	75x25	14	2,5	-	-	-	-	-	270.097	270.098	78.034

Bestellhinweis / Notes on ordering

> Ab Größe 24x8 wird eine Klemmschelle (optionales Zubehör) empfohlen, um unbeabsichtigtes Drehen zu verhindern.

> From size 24x8 a clamp (optional accessory) is recommended in order to prevent an unintentional rotation.

- > Besondere Eignung zur Entnahme heißer, zu lackierender Kunststoffteile aus der Spritzgießmaschine
- > LABS- und silikonfrei
- > Extrem abdruckarm
- > Gute Hitze-, Öl- und Chemikalienbeständigkeit
- > Hohe Abriebfestigkeit

- > Ideally suited for extraction of hot plastic parts that are to be painted from the injection moulding machine
- > Free of silicone and other paint wetting impairment substances (PWIS)
- > Extremely low-marking
- > Good heat, oil and chemical resistance
- > High abrasion resistance

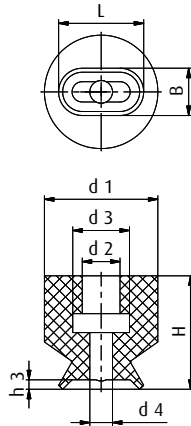
Anwendungsbeispiel / Example of application



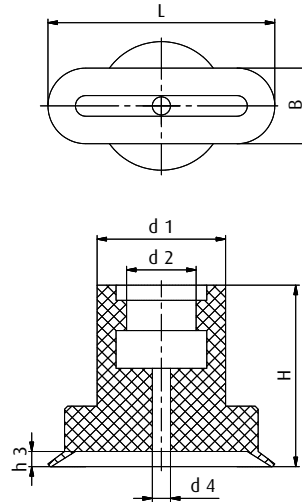


Ovalsauger aus Thermalon® 4x2 - 75x25 mm
 Oval vacuum cups made of Thermalon® 4x2 - 75x25 mm

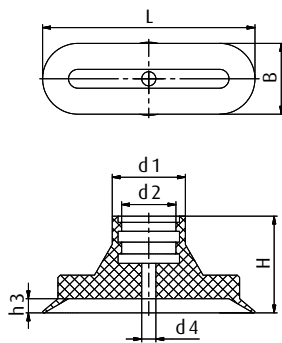
Abmessungen / Dimensions



4x2 - 7x4 mm



15x5 - 30x10 mm



45x15 - 75x25 mm

Artikel-Nummer Item number	L [mm]	B [mm]	Ø d1 [mm]	Ø d2 [mm]	Ø d3 [mm]	Ø d4 [mm]	H [mm]	h3 [mm]
132.4x2.079.19	4,5	2,5	6	2	3	1,2	6	0,5
132.7x4.080.19	7	3,5	6	2	3	1,4	6	0,8
132.15x5.081.19	15	5	8,5	4,6	-	1,2	12	1
132.18x6.082.19	18	6	8,5	4,6	-	1,5	12	1,2
132.24x8.083.19	24	8	11,5	5,5	-	1,5	12	1,5
132.30x10.084.19	30	10	11,5	5,5	-	2,5	12	2
132.45x15.085.19	45	15	15,5	11,5	-	3	21	3
132.60x20.086.19	60	20	15,5	11,5	-	4	21	3,5
132.75x25.087.19	75	25	17,5	11,5	-	4	21	4